

Construction

Compact, automatic autoclaves for household water feeding, consisting of;

- close-coupled pump
- membrane tank – 50 liters capacity
- pressure switch
- pressure gauge
- special connector
- flexible pipe
- float switch against dry running
- 2.5 m cable with plug
- Automatic starter for three-phase models.

Operation

According to the decrease or increase of pressure, the pressure switch determines when the pump will start or stop.

Application

- water supply
- sprinkling
- irrigation and spraying
- pumping water from wells and out of low-lying tanks.

Technical Data

- Mains connections 1~230V/50 Hz/3~400V/50 Hz
- Suction head max 8 m
- Inlet pressure max 4 bar
- Fluid temperature +5 °C to +40 °C
- Operating pressure max 10 bar
- Pressure switch setting range 1-6.5 bar
- Protection class IP54



Motors

2-pole induction motors, 50 Hz, n=2900 rpm
Three-phase 230/400V ± %10 with automatic starter
Single-phase 230V ± %10, with thermal protector
Insulation class F
Protection IP54
Constructed in accordance with IEC 60034
Other voltages and frequencies on request.

Vessels

Horizontal with capacity 50 liters, membrane type, air preordaining with pressure 0.2 bar below the minimum pressure switch rating.

Pump Models and Capacities

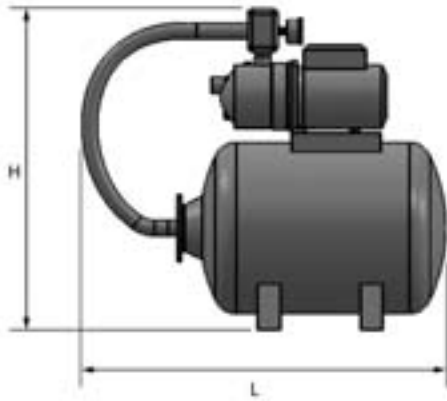
Completely Stainless-Steel Pumps		Q (m ³ /h)							
		0	1	2	3	4	5	6	7
MXHM 204/A	H (m)	0	42	37	31	22			
MXHM 205/A		0	53	47	38	28			
MXHM 206		0	65	57	48	36			
MXHM 404/A		0			38	35	32	26	20
MXHM 405		0			50	45	40	32	26
MXHM 406		0			50	45	40	32	26

Pumps with Noryl Impellers		Q (m ³ /h)							
		0	1	2	3	4	5	6	7
MXPM 204/A	H (m)	0	40	35	28	22	13		
MXPM 404/A		0		40	37	33	28	23	

Self-priming Pumps		Q (m ³ /h)							
		0	1	2	3	4	5	6	
ASPRI 15 5 M	H (m)	0	47	40	25				
ASPRI 25 5 M		0	58	55	52	44	40	32	

Pumps with Noryl Impellers		Q (m ³ /h)								
		0	1	2	3	4	5	6	7	8
PRISMA 35 4 M	H (m)	0	52	52	50	48	46	38	34	28
PRISMA 35 5 M		0	67	64	62	58	54	48	42	36
PRISMA 35 6 T		0	80	78	76	72	66	60	52	44

Pumps with Noryl Impellers		Q (m ³ /h)							
		0	2	4	6	8	10	12	14
PRISMA 45 4 T	H (m)	0	48	44	42	38	32	23	14
PRISMA 45 5 T		0	60	58	53	48	40	30	20



Model	DNs	DNd	W	L	H
CENTRIMAT / MXHM 204/A	1¼"	1"	430	660	790
CENTRIMAT / MXHM 205/A	1¼"	1"	430	660	790
CENTRIMAT / MXHM 206	1¼"	1"	430	660	790
CENTRIMAT / MXHM 404/A	1¼"	1"	430	660	790
CENTRIMAT / MXHM 405	1¼"	1"	430	660	790
CENTRIMAT / MXHM 406	1¼"	1"	430	660	790
CENTRIMAT / MXPM 204/A	1"	1"	430	660	790
CENTRIMAT / MXPM 404/A	1"	1"	430	660	790
CENTRIMAT / ASPRI 15 5 M	1"	1"	430	660	790
CENTRIMAT / ASPRI 25 5 M	1"	1"	430	660	790
CENTRIMAT / PRISMA 35 4 M	1¼"	1¼"	430	660	790
CENTRIMAT / PRISMA 35 5 M	1¼"	1¼"	430	660	790
CENTRIMAT / PRISMA 35 6 T	1¼"	1¼"	430	660	790
CENTRIMAT / PRISMA 45 4 T	1½"	1¼"	430	660	790
CENTRIMAT / PRISMA 45 5 T	1½"	1¼"	430	660	790

